

SUPER SEAL

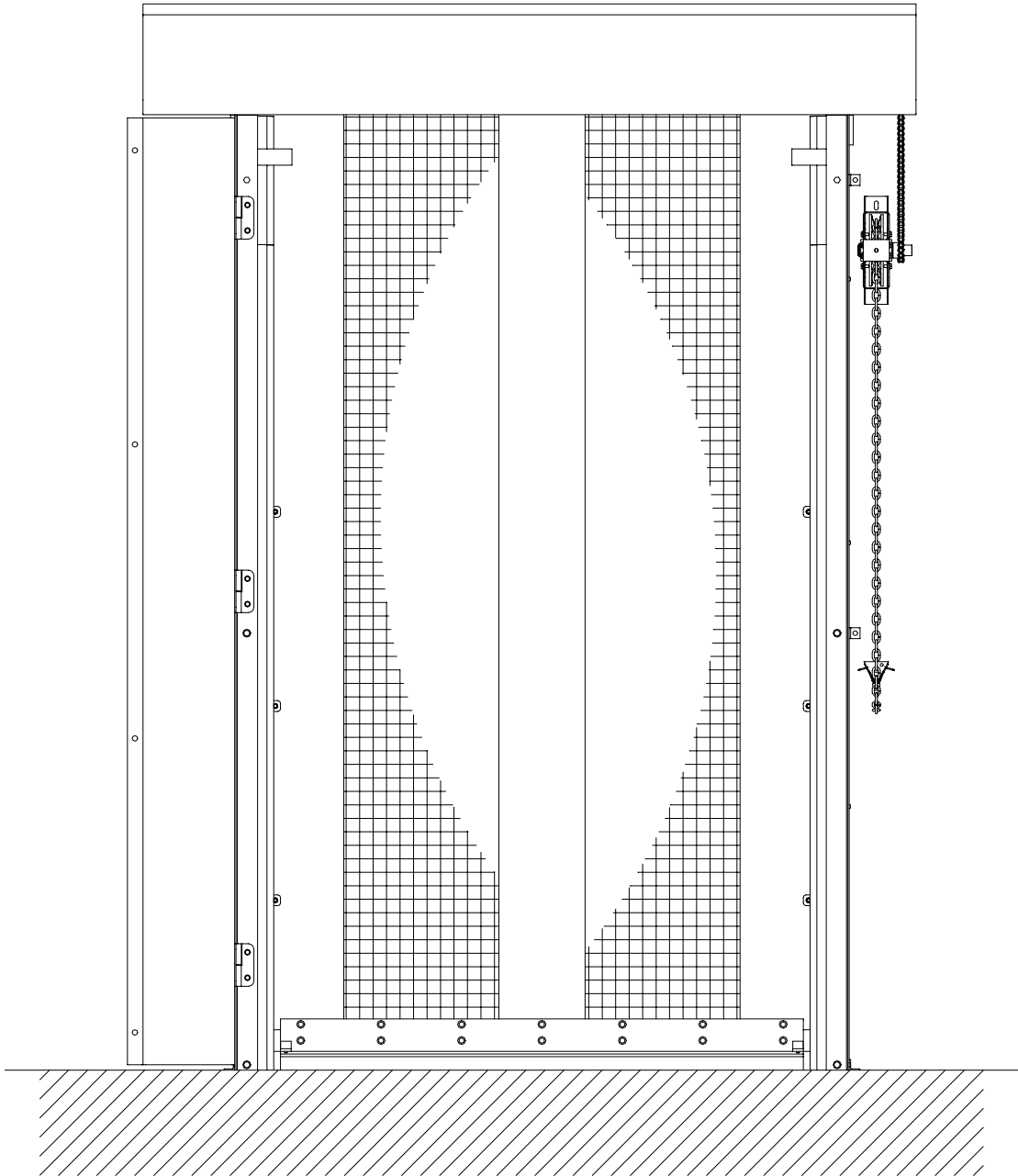
ATMODOOR



670 Rowntree Dairy Road, Woodbridge, Ontario, Canada L4L 5T8 TEL: 1-800-337-3239 www.supersealmfg.com

Series 8000XXL · Bug Roll Up Door

MANUAL





670 Rowntree Dairy Road, Woodbridge, Ontario, Canada L4L 5T8 TEL: 1-800-337-3239 www.supersealmfg.com

Series 8000XXL – Bug Roll Up Door

INSTALLATION LISTS

THE FOLLOWING LISTS COVER BASIC INSTALLATION, NOT INCLUDING OPTIONS OR ELECTRICAL

Components List

No.		Qty.
1	Right Side Upright	1
2	Left Side Upright	1
3	Top Stabilizing Tube	1
4	Fabric Roll	1
5	Counterweight Cover	1
6	Counterweight	1
7	Canopy Cover	1
8	Hardware Box	1

Hardware Supplied List (per Unit)

No.		Qty.
1	1/4" Washer on Upright	16
2	5/16" x 3/4" Hex Bolt on Upright	16
3	M14 x 30mm Hex Bolt	4
4	M14 Lock Washer	4

No.		Qty.
7	Chain Hoist Ass'y	1
8	Counterweight Spool	1
9	Operation Manual / Installation Manual	1

Mounting Hardware NOT Supplied

Recommended Tools List

Tape Measure
Plumb line or Level
Pencil or Marker
Square
Power Drill
Hammer Drill
Masonry Drill Bit
Socket Set – Standard (Imperial) & Metric
Wrench Set – Standard (Imperial) & Metric
Allen Key Set – Standard (Imperial) & Metric
Socket Wrench
Hammer
Screwdrivers
Knife or Scissors
General Purpose Grease BR2+
Serviceable Loctite

Series 8500XXL · Bug Roll Up Door

INSTALLATION INSTRUCTIONS

READ ALL INSTRUCTIONS BEFORE INSTALLING DOOR. SUPER SEAL MFG. LTD. WILL NOT BE HELD RESPONSIBLE FOR IMPROPER INSTALLATION OF ANCHORING DEVICES, OR FOR INSTALLATION INTO AGED OR UNSOUND CONCRETE, CONCRETE BLOCK, OR OTHER WALL OR FLOOR MATERIAL WHICH MAY RESULT IN PREMATURE PRODUCT WEAR, PRODUCT FAILURE, PROPERTY DAMAGE, OR PERSONAL INJURY.

1. Check Order

- a. **Measure door opening height and width.** Compare to Purchase Order. **The top stabilizer tube is cut to the door opening width as ordered.**
- b. **Check Components List and Hardware Supplied List.** Make sure all components and hardware are present.
- c. **Check Recommended Tools List.** Make sure all recommended tools are available.
- d. **Determine method of mounting door to wall.** Examine wall construction and decide whether to use concrete anchors, use threaded rod, or use another fastening technique. This door must be securely fastened to the wall.
 - **The Customer must supply mounting hardware.**
 - **WELDING THE DOOR TO THE WALL IS NOT RECOMMENDED.**
- e. **Installation Recommendations:**
 - Use serviceable locktight for all fasteners, including bolts and set screws.
 - Use anti-seize on all shafts.

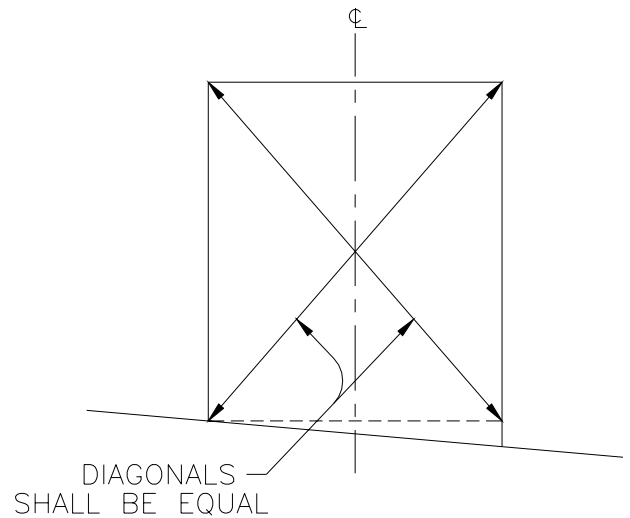


FIG. 1

2. Prepare Door Frame

- a. **Correct door opening height and width.**
 - **Measure left and right sides** of door opening from top to bottom. The height of the left and right sides of the opening should be the same.
 - **Measure the top and bottom** of door opening from side to side. The width of the top and bottom of the opening should be the same.
 - **If measurements do not coincide**, see Figures 1, 2, and 3.
 - * **If floor is sloped**, level the floor in and around door opening (Figure 1).
 - * **If the wall is badly aligned**, shim to make true (Figure 2).
 - * **If the door jambs are crooked**, install door on the center line (Figure 3).

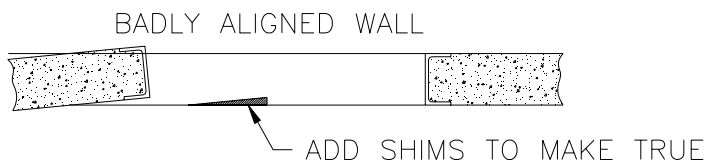


FIG. 2

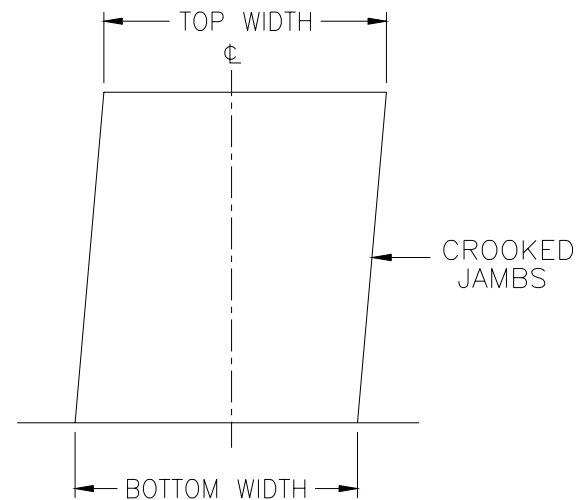


FIG. 3

2. Prepare Door Frame, continued

- b. **Ensure there is enough space** to access mounting components
 - Operator mounted on Side shown in Figures 4a and 4b.

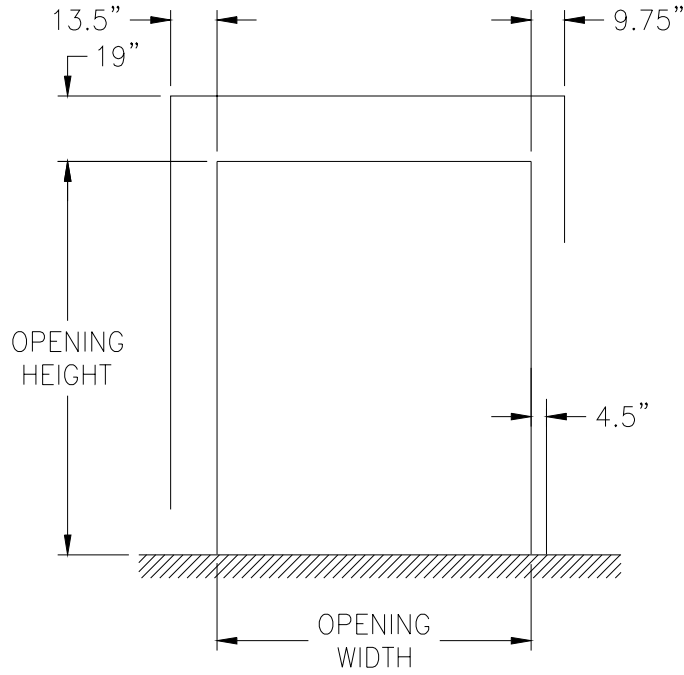


FIG. 4A

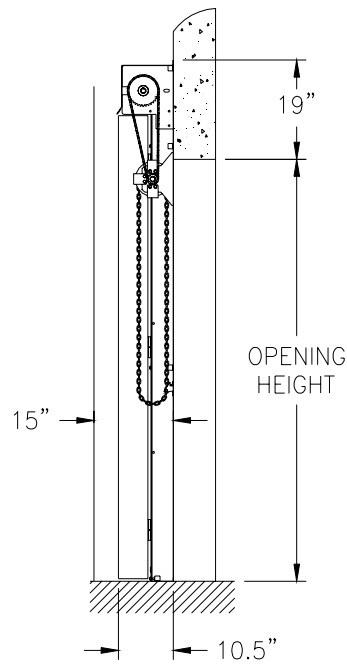


FIG. 4B

3. Attach Top Stabilizing Tube to Uprights

a. **Clamp Uprights** to wall.

The top stabilizer tube is cut to the door opening width as ordered.

- **Clamp one Upright flush to edge** of a door jamb with mounting holes against wall. (Figure 5).
- **Repeat** for the other Upright.

b. **Attach Top Stabilizing Tube** to Uprights.

- **Place Top Stabilizing Tube** between left and right Uprights.
- **Match bolt holes.**
- **Insert washers and bolts** through holes.
- **Tighten.**

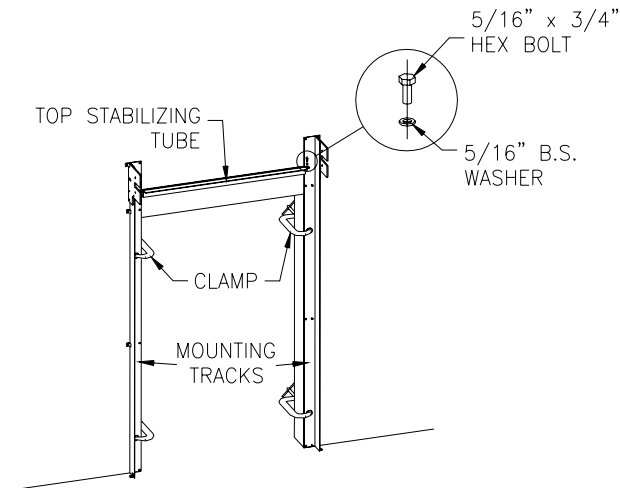


FIG. 5

4. Attach Uprights to Wall

a. **Check Uprights and Top Stabilizing Tube** for plumb, level, and square (Figure 6a).

- **Measure** top to bottom, left to right, and diagonally from all corners.

• **MAKE SURE UPRIGHTS ARE NOT TWISTED OR WARPED.**

* Check each Upright in front and on both sides.

- **Shim Uprights as needed** so Uprights will not twist or warp when attached to wall (Figure 6b).

NOTE: THE UPRIGHTS MUST BE PLUMB, LEVEL, SQUARE IN HEIGHT, WIDTH, AND DEPTH.

b. **Attach Uprights** to wall.

- **Drill** through mounting holes.
- **Insert customer supplied hardware** into mounting holes and tighten.
- **Check door** for plumb, level, and square.

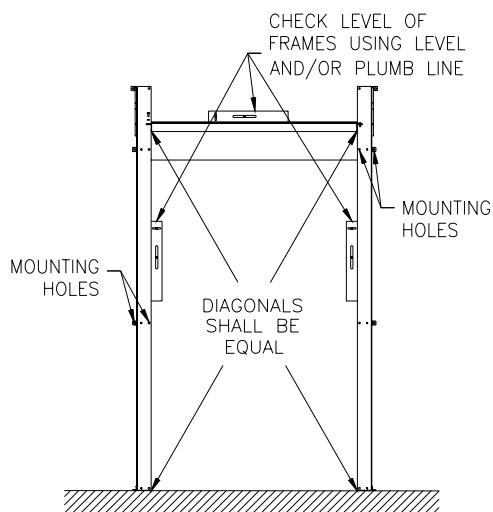


FIG. 6A

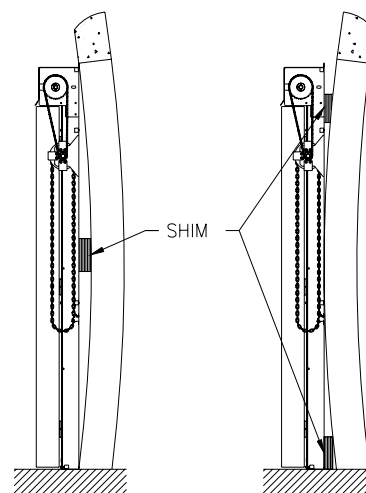


FIG. 6B

5. Check Uprights for Plumb, Level, and Square

- **MAKE SURE UPRIGHTS ARE PROPERLY ALIGNED AND NOT DEFORMED** (Figure 6c).

NOTE: THIS DOOR MUST BE PLUMB, LEVEL, AND SQUARE IN ORDER TO WORK PROPERLY.

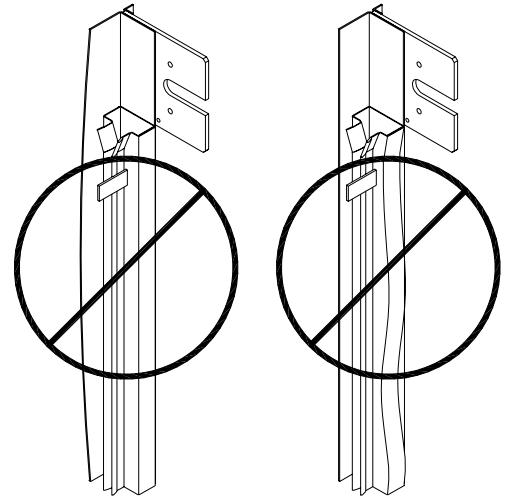


FIG. 6C

6. Install Fabric Roll

- Remove tape from keys on ends of Fabric Roll shaft.**
 - **Insert Counterweight Drum and Sprocket** on ends of Fabric Roll shaft (Figure 7A)(Figure 7B) (Figure 7C).
 - **Do not remove Roll Retaining Straps** at this time.
- Position Fabric Roll.**
 - **Place shaft with Counterweight Drum on same side** as Counterweight Cover Hinges.
- Insert Fabric Roll Shaft** onto Bearing Plates.
 - **Use suitable method to lift** Fabric Roll onto Bearing Plates.
 - **Carefully guide Shaft** through Bearing Plate slots.
 - **Keep bearings on outside** of Bearing Plates.
 - **Center Fabric Roll** until it extends **1 3/8"** beyond each Upright.
- Attach Bearings** to Bearing Plates.
 - **Loosen Set Screws** on Bearings.
 - **Line up Bearings** with mounting holes provided.
 - **Insert hardware** and attach Bearings to Bearing Plates.
 - **Repeat** for other side.

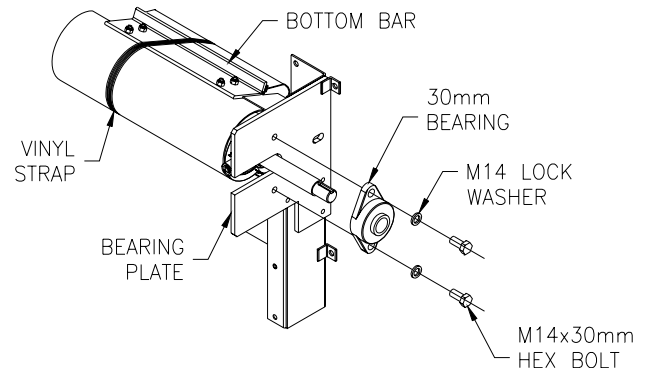


FIG. 7A

7. Center Fabric Roll Between Uprights

- Center Fabric Roll by hand** until it extends **1 3/8"** beyond each Upright.
 - **Do not hit end of shaft** to adjust roll.
 - **CHECK FABRIC ROLL FOR LEVEL.**
- Tighten Set Screws** on Bearing Collars (Figure).
 - **Secure** with serviceable Locktite.

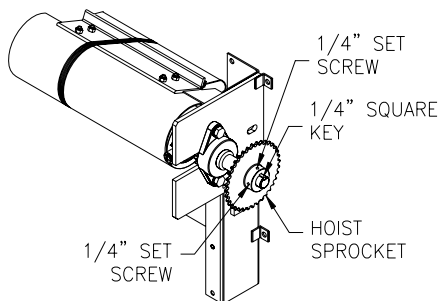


FIG. 7B

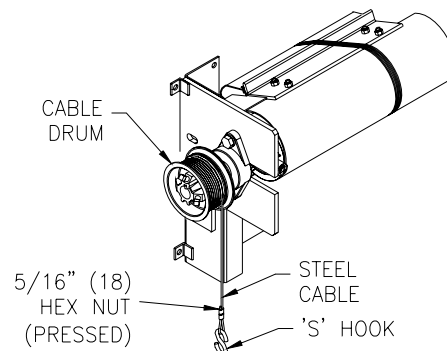


FIG. 7C

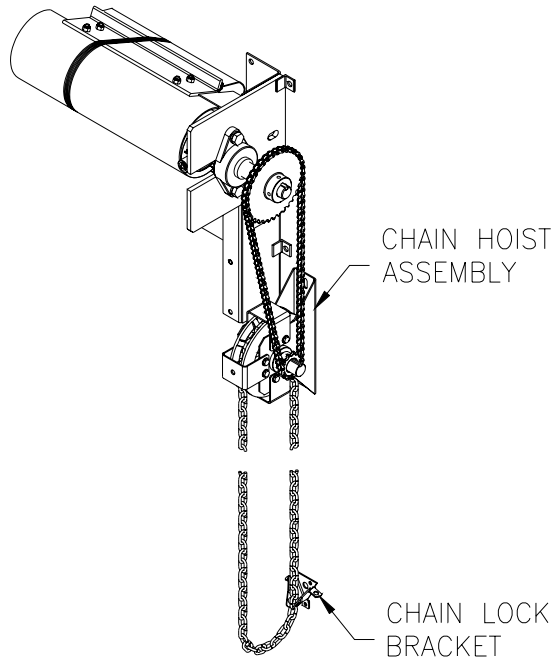


FIG. 8A

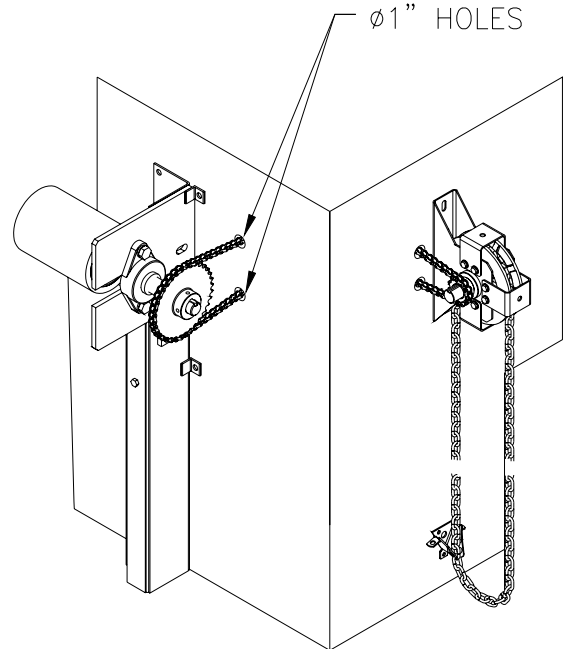


FIG. 8B

8. Install Manual Chain Hoist

- a. **Attach Manual chain hoist** onto wall using suitable method, side mount or through wall (Fig. 8A)(Fig. 8B).
- b. **Install Chain and Chain Lock Bracket.**

9. Install Counterweight

- a. **Place Counterweight** into position (Figure 9A).
 - Use suitable method to align keyways.
- b. **Attach Counterweight.**
 - **Unwrap cable from Cable Spool.**
 - * Leave 1/2 wrap of cable on Cable Spool.
 - **Attach Counterweight to “S” hooks** on end of cable.
 - * **DO NOT CLOSE “S” hooks** around ring on Counterweight at this time.
- c. **Insert Bottom Bar.**
 - **Remove Roll Retaining Straps** from Fabric Roll.
 - **Pull door down** with the Pull Chain.
 - Insert Bottom Bar.

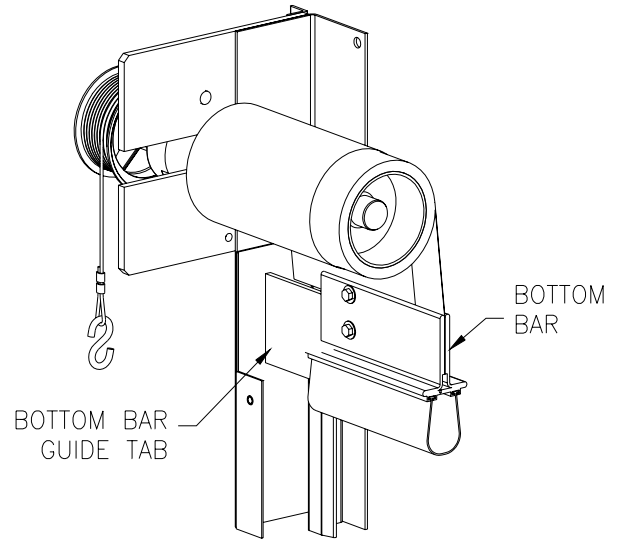


FIG. 9A

10. Position Counterweight

- a. **Raise and lower the door** several times.
- b. **Open the Door** fully.
 - The Counterweight should not touch the floor.
- c. **Close the Door** fully.
 - The Counterweight should not touch the Mounting Bracket.
- d. **Adjust Counterweight position** by winding or unwinding the cable on the spool, if required.
 - The cable length increases or decreases by **6” per wrap.**
- e. **Close the “S” hooks** around the ring on the Counterweight.

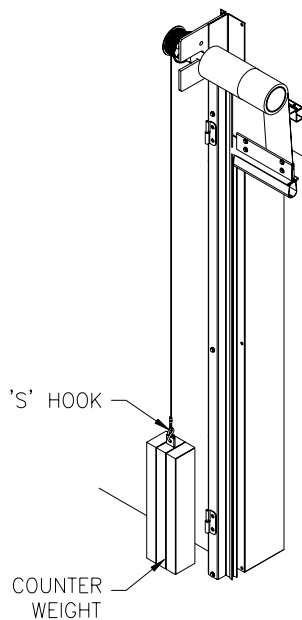


FIG. 9C

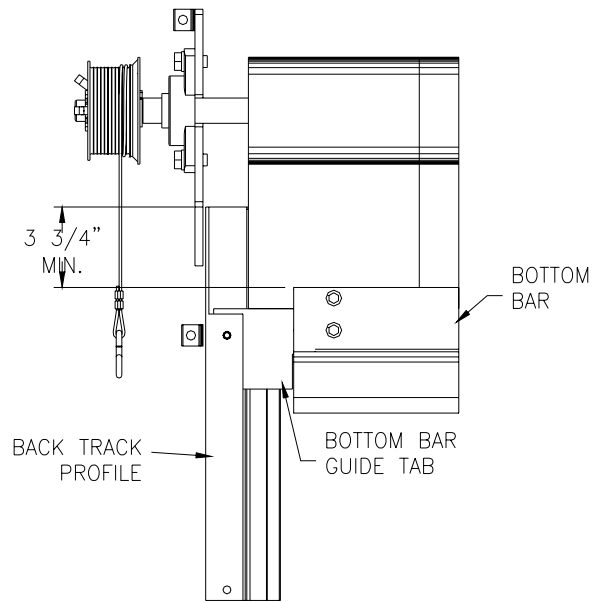


FIG. 9B

11. Install Counterweight Cover

- a. **Position the Counterweight Cover on the floor** (Figure 10).
 - **Line up the lift off hinges** of the Counterweight Cover with the Canopy Cover.
- b. **Attach Counterweight Cover.**

12. Install Canopy Cover

- a. **Install Canopy Cover on top of Fabric Roll.**
 - Make sure that the Canopy covers the full unit width (Figure 11)
- b. **Place Canopy Cover** onto each Plate.
 - Attach to wall.

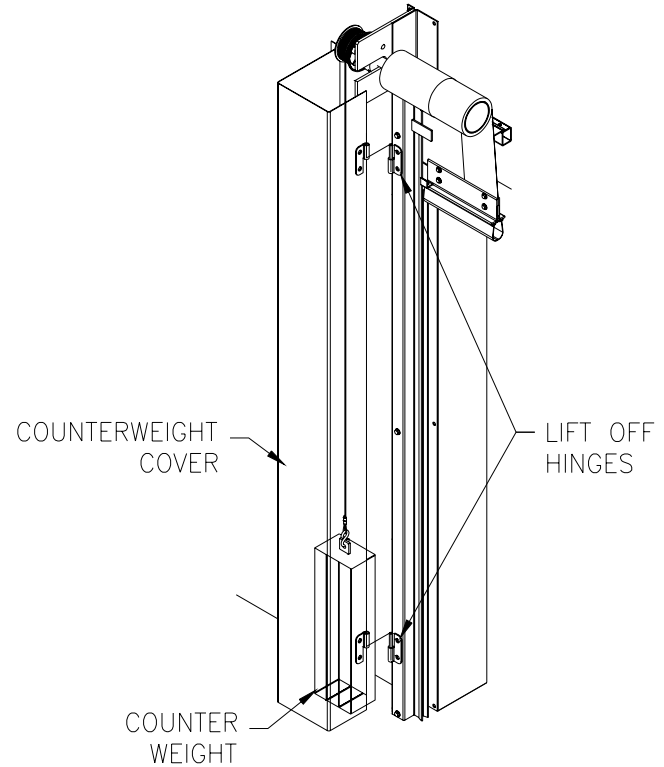


FIG. 10

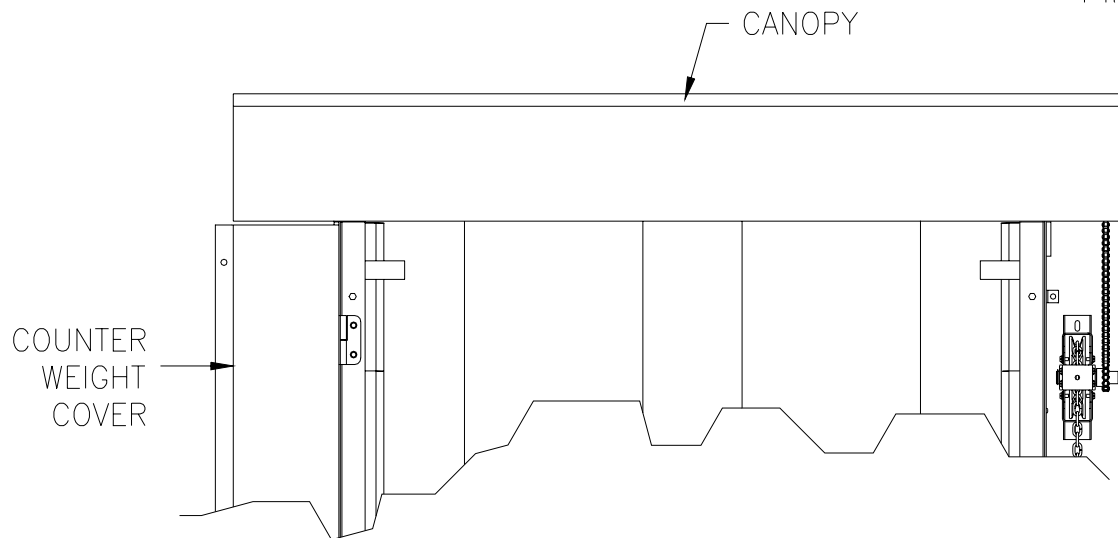


FIG. 11